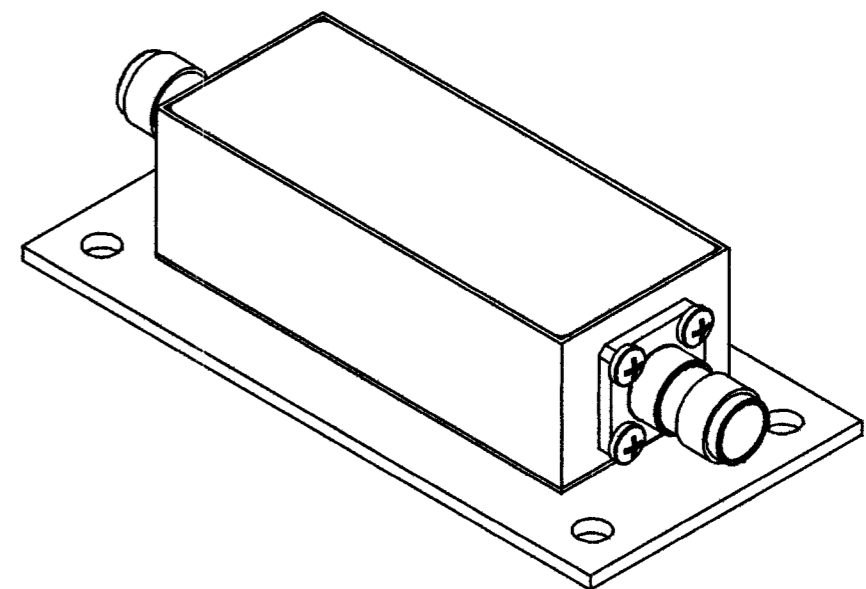
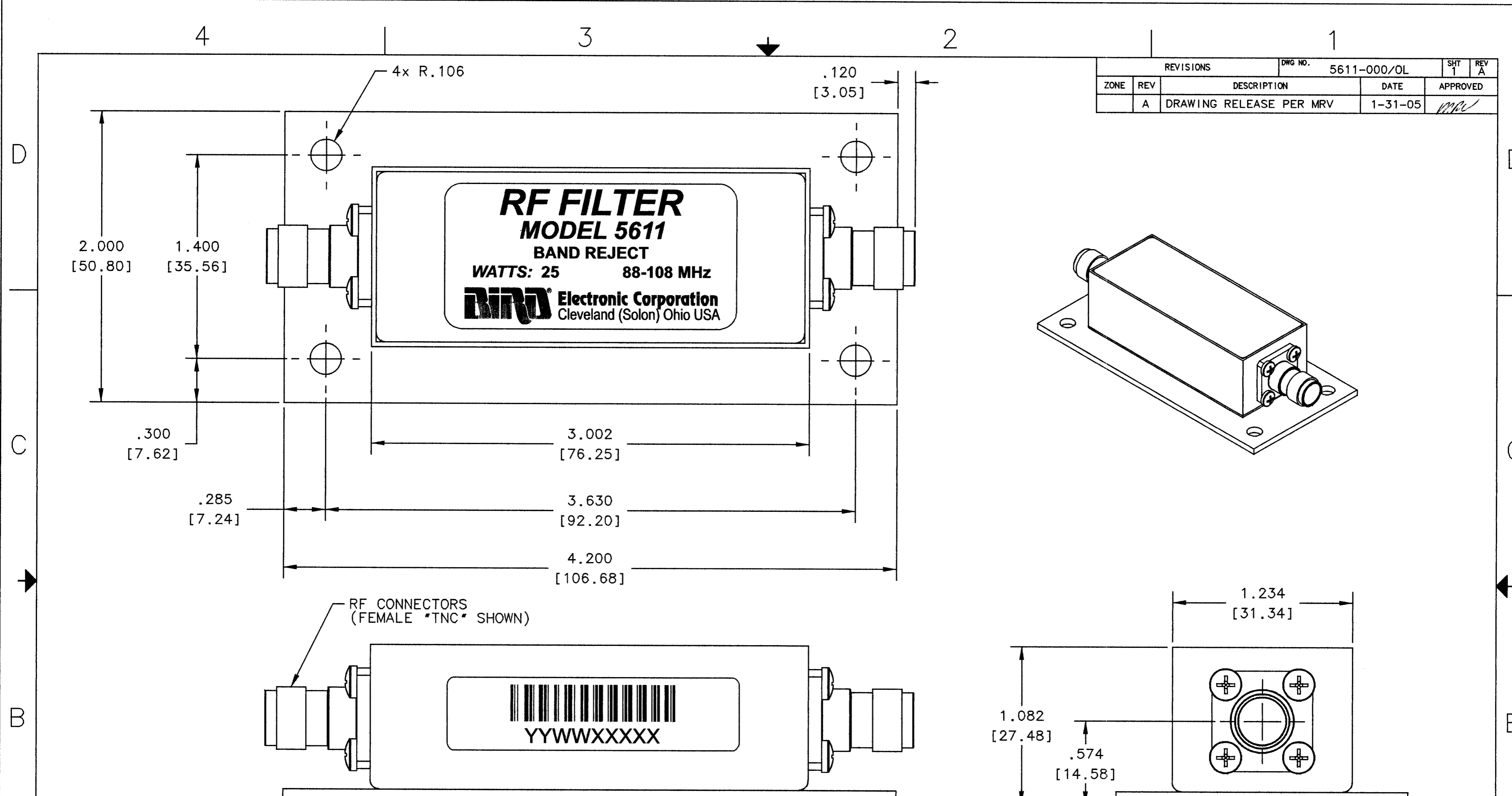


REVISIONS		DWG NO.	5611-000/OL	SHT	REV
ZONE	REV	DESCRIPTION	DATE	APPROVED	
	A	DRAWING RELEASE PER MRV	1-31-05	<i>MRV</i>	



SPECIFICATIONS:

- PASSBAND:
LOW BAND 30 TO 80 MHz MIN.
HIGH BAND 119 TO 400 MHz MIN.
- STOPBAND: 88 TO 108 MHz
- POWER: 25 WATTS MAX.
- IMPEDANCE: 50 OHMS NOMINAL
- VSWR: 1.4:1 MAX. (BOTH BANDS)
- INSERTION LOSS:
30 TO 80 MHz AND 119 TO 400 MHz ... 0.5dB MAX.
80 TO 88 MHz AND 108 TO 118 MHz ... 3.0dB MAX.
- ATTENUATION: 20dB MIN. 93 MHz TO 103 MHz
- CONNECTORS: SUPPLIED WITH (2) TNC FEMALE

UNLESS OTHERWISE SPECIFIED DIMENSIONS ARE IN INCHES TOLERANCES ARE: FRACTIONS DECIMALS ANGLES ±1/64 .XX±.010 ±30° XXX±.005	MILLIMETERS ±.4 .XX±.12	THIS DRAWING IS THE PROPERTY OF THE BIRD ELECTRONIC CORPORATION. THE DESIGNS AND SPECIFICATIONS DISCLOSED HEREON ARE PROPRIETARY AND SHALL NOT BE REPRODUCED, NOR COPIED, NOR USED AS THE BASIS FOR THE MANUFACTURE OR SALE OF APPARATUS OR DEVICES WITHOUT THEIR EXPRESS WRITTEN CONSENT.		BIRD Electronic Corporation Cleveland (Solon) Ohio USA
		DO NOT SCALE DRAWING		
MATERIAL		APPROVALS	DATE	TITLE
FINISH		DRAWN	DATE	MODEL 5611/OUTLINE
GRAY PER BEC DWG #6-060		CHECKED <i>WHRV</i>	1-31-05	SIZE C FSCM NO. 70998
		APPROVED <i>WHRV</i>	2-20-05	DWG NO. 5611-000/OL
		5611/ASSY	2-20-05	REV A
		SCALE 2:1		COMM CODE SHEET 1 OF 1